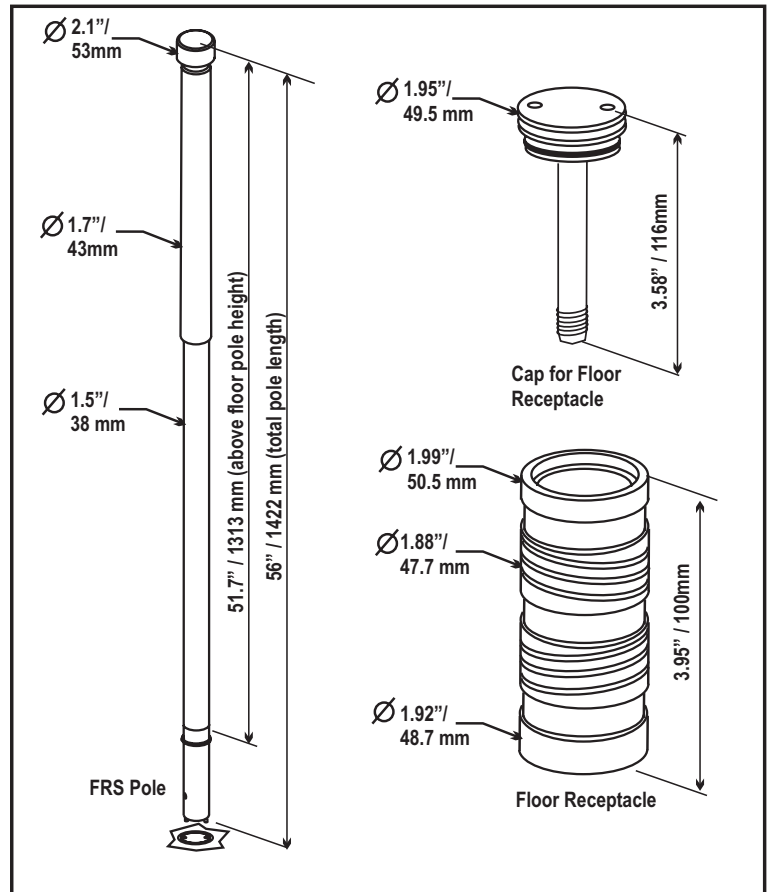


⚠ CAUTION RISK OF INJURY!

Read & understand these instructions prior to installing or using product. It is your responsibility to see that your SuperPole FRS™ is properly assembled, installed, operated, and cared for. Failure to follow these instructions could result in injury.

The SuperPole FRS™ should only be installed in concrete slab type floors of structurally sound design. We recommend that you have your SuperPole FRS™ installed by a qualified contractor who should pay attention to location of any in-floor structures or conduits. The locking pins on the bottom of the SuperPole FRS should be inspected regularly for damage. The floor receptacles should be inspected regularly. Maximum suggested user weight of 350 lbs/113kg



Installation Notes

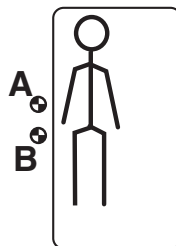
We strongly recommend that you give thought as to the optimal location of your SuperPole FRS™ before installation. The following questions may help you to decide upon a location:

- What motions will you be going through? (pulling up to standing, lowering to sitting, transferring from chair to toilet, etc.)
- What is your strongest side/hand?
- What is your complete transfer path? Will the location allow for full support over most of your path of motion?
- Will the pole be far enough away to allow you to stand comfortably?
- Does the proposed location of the SuperPole FRS™ floor receptacle coincide with any in-floor structures or utility conduits.

Location Suggestions...

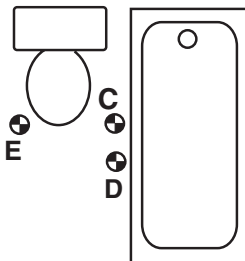
Bed

Locate unit adjacent to hip/belt line and as close to bed as possible while allowing clearance for bed coverings. Note that the orientation of the floor receptacle will set the pivot locking positions of the bar.



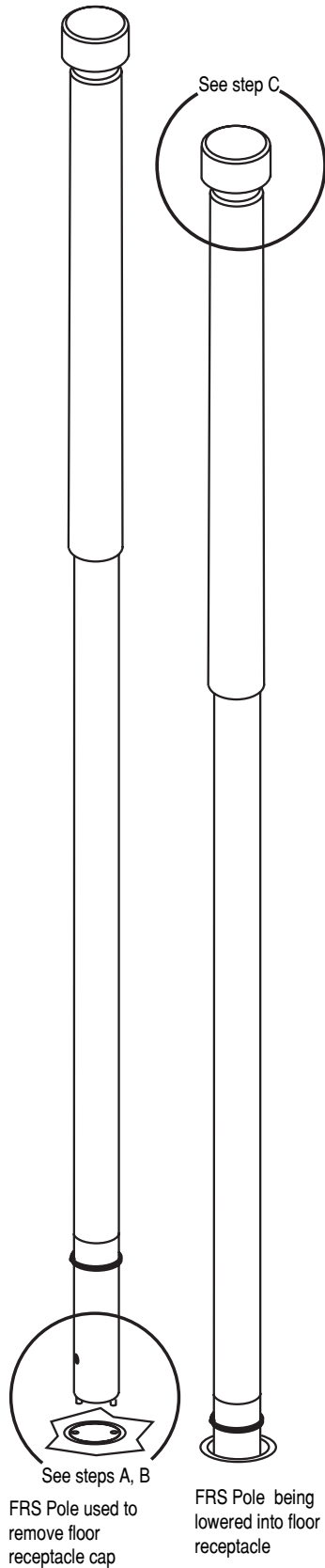
Bathtub and/or Toilet

Toilet - suggested to locate floor receptacle between three to ten inches forward of the knees and two to six inches to side of knees when seated such as position E or C.
Bathtub only - locate floor receptacle close to outer edge of tub, approximately half way along its length such as position D.

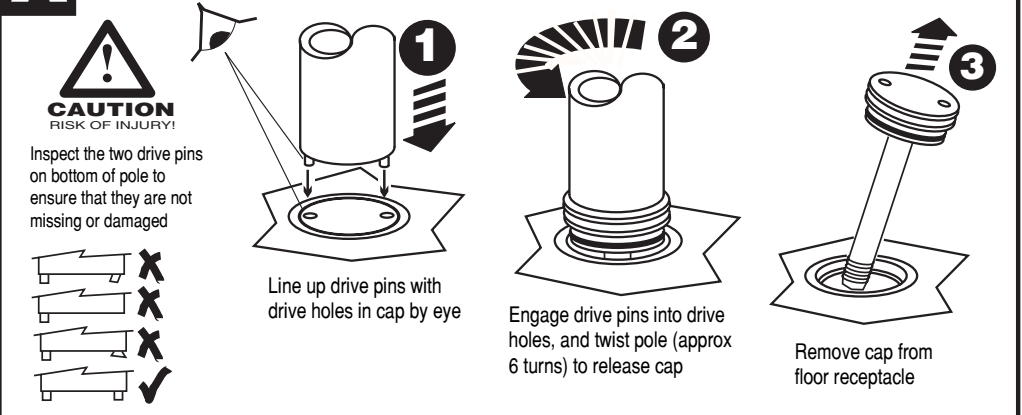


Installation of SuperPole FRS into Floor Receptacle

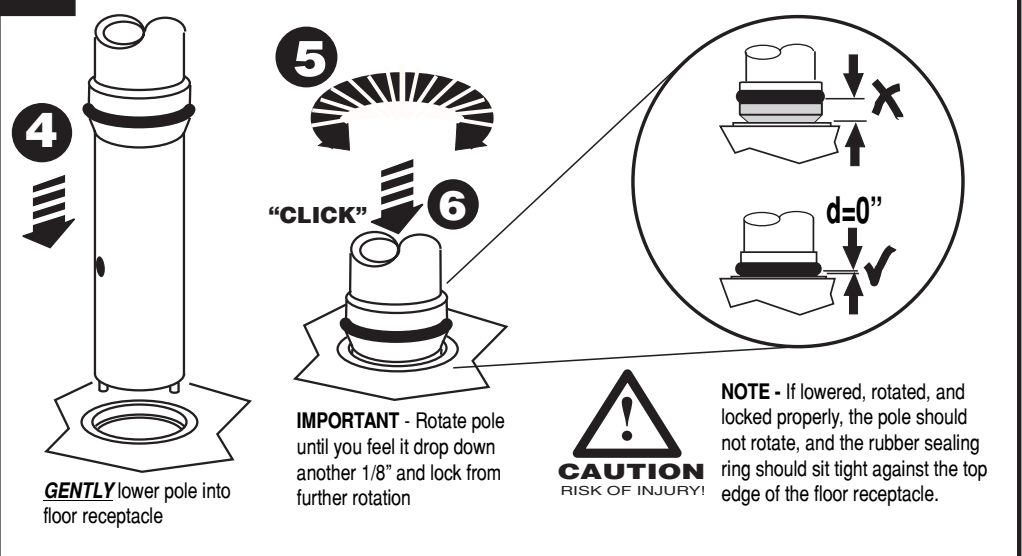
SuperPole FRS



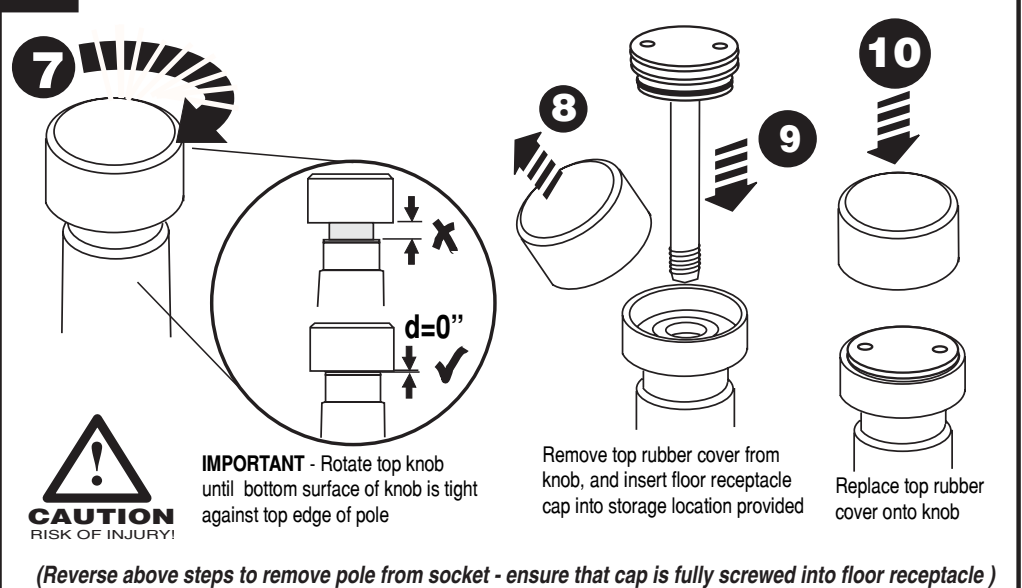
A Remove Floor Receptacle Cap



B Insert FRS Pole into Floor Receptacle



C Secure FRS Pole & Store Receptacle Cap



Floor Receptacle Installation Details

Read these instructions in their entirety prior to commencing installation or use of the SuperPole FRS™. Refer to figures "A-F" on next page.

1. Using suggestions on page 1, determine a proposed location for installation of the floor receptacle(s).

2. Check that the concrete floor is in good condition, and that the depth of the slab is at least six inches prior to drilling. **IMPORTANT -** Determine if there are any conduits, wires, pipes or such within the floor to be avoided during drilling, or a potential for the bottom of the hole to fall through.

3. Select a locally available anchoring cement or embedment grout to be used for the installation. It should have a hardened bond and pullout strength of at least 2000 psi, compatibility with your floor cleaning chemicals, and a pourable semi-liquid like consistency. (Suggestions for this grout include HILTI™ HIT-HY150, from HILTI™ Canada Phone 1-800-363-4458 or Anchorite™ Embedment Grout from C.C. Chemicals Canada, Phone 1-888-763-4453). Your selected grout should be confirmed to be in accordance with any local codes in your area for safety, disposal, and germ prevention.

4. Prepare to drill the hole for the receptacle. It is recommended to create the hole with a 2" to 2-1/4" diameter diamond type coring hole saw.

NOTE -The two inch size results in the cleanest appearance of the hole with a minimal appearance of grout around the receptacle, but requires a flowable grout to fill into the small area around the receptacle.

5. Referring to figures A, B & C, the hole should be drilled to 4-1/4 to 4-1/2" deep, and aligned as true vertical. Follow grout manufacturers guidelines for hole preparation such as cleaning and roughening the hole prior to using grout.

6. Referring to figure B, prior to mixing the grout, make a test and lower the receptacle into the hole. Test that the top of the receptacle does not sit above floor level. You may choose to use thin metal pieces such as large washers to place under the receptacle to shim it such that the top of the receptacle is flush with the floor surface.

7. Once the hole and receptacle have been prepared for installation, prepare the grout following manufacturer's directions. Referring to figure C, place/pour an amount of the grout in the bottom of the drilled hole. You may also apply some of the grout onto the sides of the receptacle to pre-coat it for better adhesion.

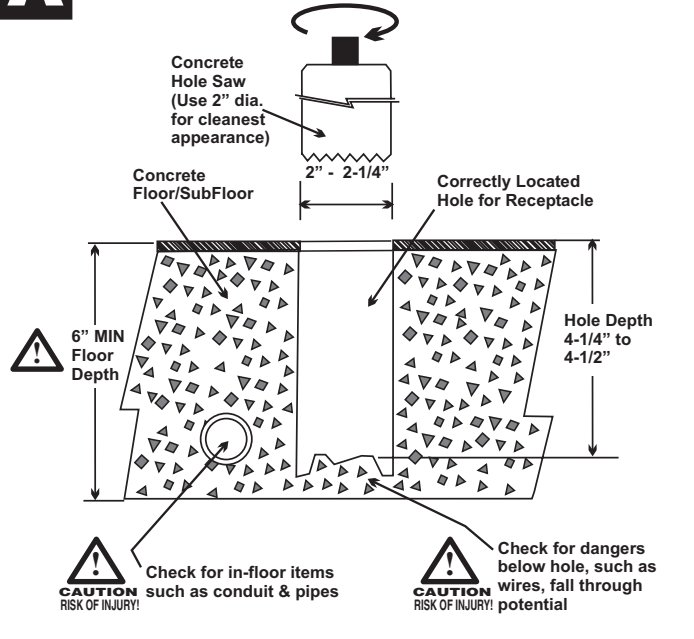
8. Next, referring to figure D, remove the cap of the receptacle (as shown on page 2) and place a crumpled rag/towel inside the receptacle to guard against any grout entering the receptacle. Next, twist and force the receptacle down into the grout until the top of it is exactly flush with the floor surface. If the grout does not rise up around the outside of the receptacle to within 1/2" of the top of the receptacle, remove the receptacle, add more grout, and repeat. If the grout overflows prior to the receptacle being fully lowered, remove the receptacle and take out an amount of the grout and reinstall the receptacle. Referring to figure E, once the level of the grout has been finalized at 1/2" below the floor surface, ensure that the receptacle is exactly vertical. This may be accomplished by inserting the FRS pole as a guideline, and correcting with the guidance of a bubble level.

9. IMPORTANT - During installation take great care to prevent the liquid grout getting down into the inside of the receptacle. This can foul up the thread and pin holes at the bottom of the receptacle. When sinking the receptacle into the grout, keep the receptacle covered or use a cloth rag inside the receptacle. Should any grout enter the receptacle, immediately remove the receptacle, and clean it out to prevent it from hardening.

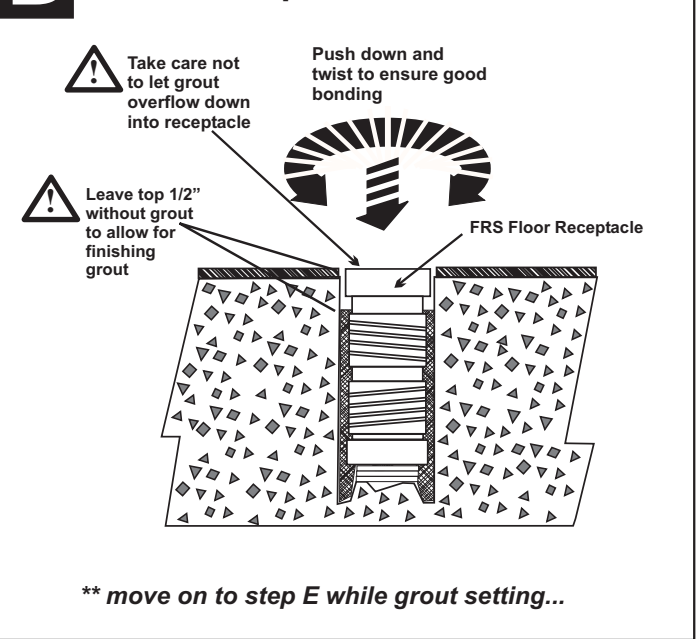
10. Referring to figure F, after the initial grout has hardened, add more grout around the top of the receptacle and smooth it to be flush with the floor. Wait the recommended time for hardening of the grout prior to use.

Floor Receptacle Installation Details

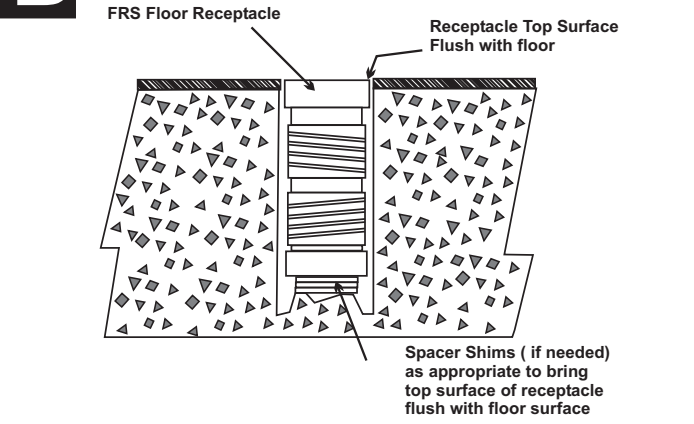
A Locate & Drill Hole for Receptacle



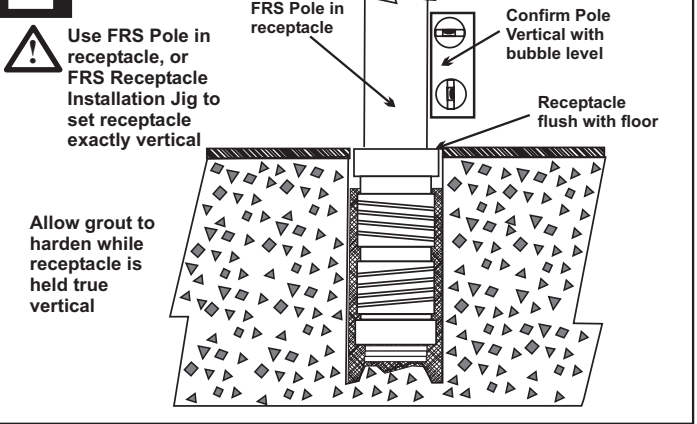
D Insert Receptacle into Grout



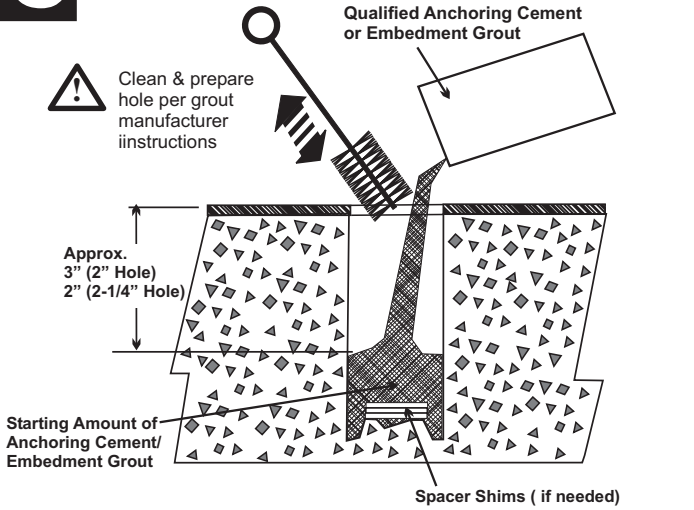
B Test Hole Diameter and Depth



E Confirm Vertical & Let Grout Harden



C Clean Hole & Add Anchoring Grout



F Cap Receptacle & Finish Top Grout

