



CAUTION
RISK OF INJURY!

*Understand these instructions prior to using product.
 Also, refer to the SuperPoleTM System instructions.*

Prior to installing the Safety IslandTM option, we strongly recommend that you first read through these instructions. We would also recommend that you set aside a space on the floor or a table to prepare the SuperPoleTM System prior to raising the pole for final installation.

D1. See steps A1 and A2 on page 2. Complete these instructions and then continue with step D2.

D2. Unpack the Safety IslandTM unit (27). Slide the Safety IslandTM unit (27) onto the pole assembly (2) as shown in Figure D1 (side of tray on top of spokes to go onto pole first). Slide it on as straight as possible to avoid scratching the paint on the pole.

D3. See steps A3, A4, and A5 on page 2. Complete these instructions and then continue with step D4.

D4. The next step is to fix the Safety IslandTM to the pole as shown in Figure D2. It is recommended that the tubular ring of the Safety IslandTM is approximately 28" - 36" from the floor (this height is determined by the height of the user - consult your therapist).

Fasten the Safety IslandTM to the pole by installing and tightening the three set screws (28) with the provided hex key wrench (29). You will need to slide the spring ring (30) downwards to gain access to the screw holes.

IMPORTANT - These screws **MUST** be tightened until they are flush with the collar or injury may result. **NOTE:** By tightening the set screws, the cone points will penetrate the pole for positive engagement, thereby leaving permanent indentations in the pole. **BE CERTAIN THE SAFETY ISLANDTM IS AT THE CORRECT HEIGHT AND ORIENTATION BEFORE PROCEEDING.**

D5. Slide the spring collar upwards on the Safety IslandTM collar as shown (Figure D3) to retain the set screws (28) while in service. Inspect frequently to ensure screws and collar are tight.

D6. See steps A2 to A9 on page 2. Complete these instructions to finish the installation of your Safety IslandTM.

FIGURE D1 SLIDE ONTO POLE

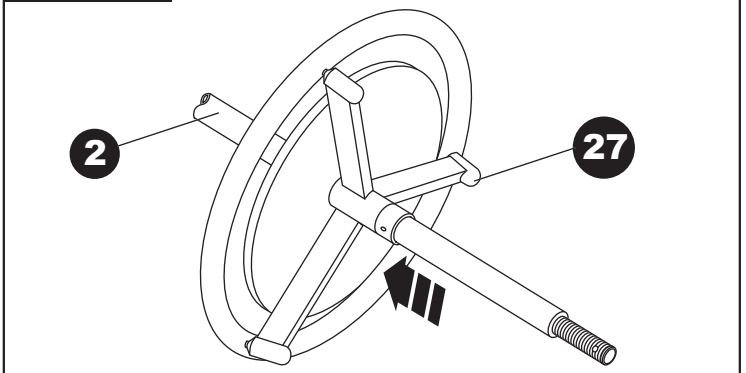


FIGURE D2 SET HEIGHT AND TIGHTEN SCREWS

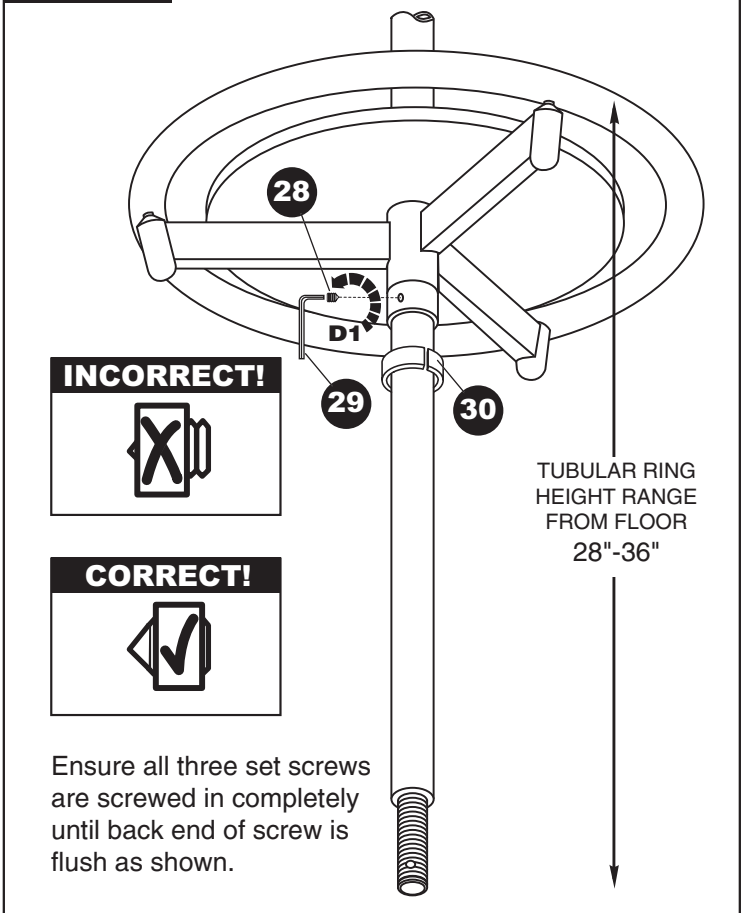


FIGURE D3 INSTALL SPRING COLLAR

